

DS26LV32AQML

DS26LV32AQML 3V Enhanced CMOS Quad Differential Line Receiver



Literature Number: SNOSAS7

DS26LV32AQML

3V Enhanced CMOS Quad Differential Line Receiver

General Description

The DS26LV32A is a high speed quad differential CMOS receiver that is comparable to TIA/EIA-422-B and ITU-T V.11 standards, but with a specified common mode voltage range of -0.5V to +5.5V due to the lower operating supply voltage of 3.0V to 3.6V. The TRI-STATE enables, EN and EN, allow the device to be active High or active Low. The enables are common to all four receivers. The receiver output (RO) is guaranteed to be High when the inputs are left open. The receiver can detect signals as low as $\pm 200\text{mV}$ over the common mode range of -0.5V to +5.5V. The receiver outputs (RO) are compatible with TTL and LVCMOS levels.

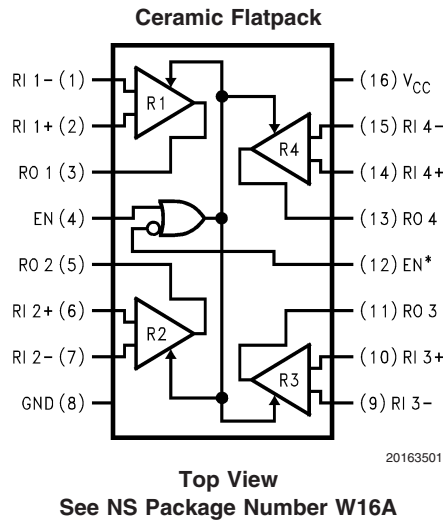
Features

- Comparable to both TIA/EIA-422 and ITU-T V.11 standards
- Low Power CMOS design (30 mW typical)
- Interoperable with existing 5V RS-422 networks
- Receiver OPEN input failsafe feature
- Pin compatible with DS26C32AT

Ordering Information

NS Part Number	SMD Part Number	NS Package Number	Package Description
DS26LV32AW-QML	5962-9858501QFA	W16A	16LD Ceramic Flatpack

Connection Diagram



Absolute Maximum Ratings (Note 1)

Supply Voltage (V_{CC})	7.0V
Common Mode Range (V_{CM})	$\pm 14V$
Differential Input Voltage (V_{Diff})	$\pm 14V$
Enable Input Voltage (V_I)	-0.5V to $V_{CC}+0.5V$
Storage Temperature Range (T_{Stg})	$-65^{\circ}C \leq T_A \leq +150^{\circ}C$
Lead Temperature (T_L) Soldering, 4 seconds	260°C
Maximum Power Dissipation +25°C (Note 2)	1087mW
Thermal Resistance	
θ_{JA}	138°C/W
θ_{JC}	13.5°C/W

Recommended Operating Conditions

Supply Voltage (v_{CC})	3.0V to 3.6V
Operating Temperature Range (T_A)	$-55^{\circ}C \leq T_A \leq +125^{\circ}C$

Quality Conformance Inspection

Mil-Std-883, Method 5005 - Group A

Subgroup	Description	Temp °C
1	Static tests at	25
2	Static tests at	125
3	Static tests at	-55
4	Dynamic tests at	25
5	Dynamic tests at	125
6	Dynamic tests at	-55
7	Functional tests at	25
8A	Functional tests at	125
8B	Functional tests at	-55
9	Switching tests at	25
10	Switching tests at	125
11	Switching tests at	-55
12	Settling time at	25
13	Settling time at	125
14	Settling time at	-55

DS26LV32AQML Electrical Characteristics

DC Parameters

Symbol	Parameter	Conditions	Notes	Min	Max	Units	Sub-groups
V_{Th}	Minimum Differential Input Voltage	$V_{CC} = 3.0/3.6V$, $V_O = V_{OH}$ or V_{OL} , $-0.5V < V_{CM} < +5.5V$		-200	+200	mV	1, 2, 3
R_i	Input Resistance	$V_{CC} = 3.6V$, $-0.5V < V_{CM} < +5.5V$, One input AC Gnd		5.0		K Ω	1, 2, 3
I_i	Input Current	$V_{CC} = 3.6V$, $V_i = +5.5V$ Other Input = Gnd		0.0	+1.8	mA	1, 2, 3
		$V_{CC} = 3.6V$, $V_i = -0.5V$ Other Input = Gnd		0.0	-1.8	mA	1, 2, 3
		$V_{CC} = 0V$, $V_i = +5.5V$ Other Input = Gnd		0.0	+1.8	mA	1, 2, 3
		$V_{CC} = 0V$, $V_i = -0.5V$ Other Input = Gnd		0.0	-1.8	mA	1, 2, 3
V_{OH}	Logical "1" Output Voltage	$V_{CC} = 3.0V$, $V_{Diff} = +1V$, $I_O = -6.0mA$		2.4		V	1, 2, 3
V_{OL}	Logical "0" Output Voltage	$V_{CC} = 3.0V$, $V_{Diff} = -1V$, $I_O = 6.0mA$			0.5	V	1, 2, 3
V_{IH}	Minimum Enable High Level Voltage		(Note 3)	2.0		V	1, 2, 3
V_{IL}	Maximum Enable Low Level Voltage		(Note 3)		0.8	V	1, 2, 3
I_{OZ}	Maximum TRI-STATE Output Leakage Current	$V_{CC} = 3.6V$, $V_O = V_{CC}$ or Gnd Enable = V_{IL} , Enable = V_{IH}			± 50	μA	1, 2, 3
I_{En}	Maximum Enable Input Current	$V_{CC} = 3.6V$, $V_i = V_{CC}$ or Gnd			± 1.0	μA	1, 2, 3
I_{CC}	Quiescent Power Supply Current	$V_{CC} = 3.6V$, No Load, En, $\overline{En} = V_{CC}$ or Gnd, $-0.5V < V_{CM} < +5.5V$			20	mA	1, 2, 3
I_{OS}	Output Short Circuit Current	$V_{CC} = 3.0V/3.6V$, $V_O = 0V$, $V_{Diff} = +1V$	(Note 4)	-10	-70	mA	1, 2, 3

DS26LV32AQML Electrical Characteristics (Continued)

AC Parameters

The following conditions apply, unless otherwise specified.

AC: $V_{CC} = 3.0/3.6V$, $C_L = 50pF$

Symbol	Parameter	Conditions	Notes	Min	Max	Units	Sub-groups
t_{PLH}	Input to Output Propagation Delay	$V_{CM} = 1.5V$	(Note 5)	6.0	45	nS	9, 10, 11
t_{PHL}	Input to Output Propagation Delay	$V_{CM} = 1.5V$	(Note 5)	6.0	45	nS	9, 10, 11
t_{SK1}	Skew t_{pHLD} - t_{pLHD} (same channel)				6.0	nS	9, 10, 11
t_{SK2}	Pin to Pin Skew (Same device)				6.0	nS	9, 10, 11
t_{PLZ}	Output Disable Time	$2K\Omega$ to V_{CC}	(Note 6)		50	nS	9, 10, 11
t_{PZL}	Output Enable Time	$2K\Omega$ to V_{CC}	(Note 6)		50	nS	9, 10, 11
t_{PHZ}	Output Disable Time	$2K\Omega$ to Gnd	(Note 6)		50	nS	9, 10, 11
t_{PZH}	Output Enable Time	$2K\Omega$ to Gnd	(Note 6)		50	nS	9, 10, 11

Note 1: Absolute Maximum Ratings indicate limits beyond which damage to the device may occur. Operating Ratings indicate conditions for which the device is functional, but do not guarantee specific performance limits. For guaranteed specifications and test conditions, see the Electrical Characteristics. The guaranteed specifications apply only for the test conditions listed. Some performance characteristics may degrade when the device is not operated under the listed test conditions.

Note 2: Derate CERPAK 7.3mW/°C above +25°C.

Note 3: Parameter tested Go-No-Go only.

Note 4: Short one output at a time to Gnd.

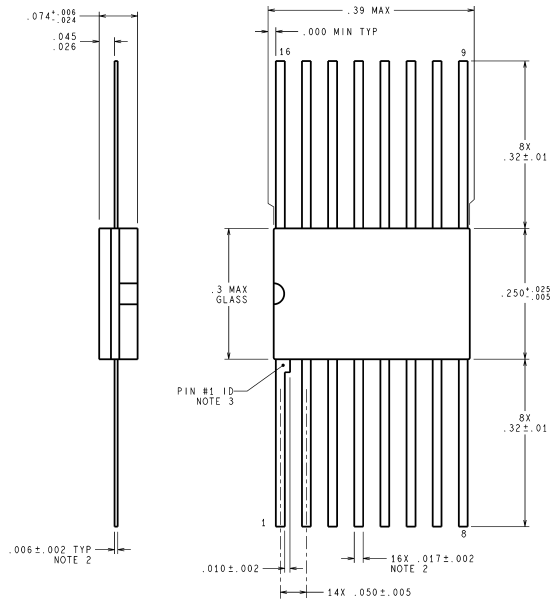
Note 5: Generator waveform is specified as follows: $f = 1MHz$, Duty Cycle = 50%, $Z_O = 50\Omega$, $t_R = t_F \leq 6nS$. Receiver inputs = 1V to 2V with measure points equal to 1.5V on the inputs to $1/2 V_{CC}$ on the outputs.

Note 6: Generator waveform is specified as follows: $f = 1MHz$, Duty Cycle = 50%, $Z_O = 50\Omega$, $t_R = t_F \leq 6nS$. $\overline{En}/\overline{En}$ inputs = 0V to 3V with measure points equal to 1.5V on the inputs, to $1/2 V_{CC}$ on the outputs for Z_L and Z_H , and $(V_{OL} + 0.3V)$ for L_Z , and $(V_{OH} - 0.3V)$ for H_Z .

Revision History Section

Released	Revision	Section	Originator	Changes
03/01/06	A	New Release, Corporate format	L. Lytle	1 MDS data sheet converted into one Corp. data sheet format. MNDS26LV32A-X Rev 0A0 will be archived.

Physical Dimensions inches (millimeters) unless otherwise noted



DIMENSIONS ARE IN INCHES

W16A (Rev T)

**Cerpack Package (W)
NS Package Number W16A**

National does not assume any responsibility for use of any circuitry described, no circuit patent licenses are implied and National reserves the right at any time without notice to change said circuitry and specifications.

For the most current product information visit us at www.national.com.

LIFE SUPPORT POLICY

NATIONAL'S PRODUCTS ARE NOT AUTHORIZED FOR USE AS CRITICAL COMPONENTS IN LIFE SUPPORT DEVICES OR SYSTEMS WITHOUT THE EXPRESS WRITTEN APPROVAL OF THE PRESIDENT AND GENERAL COUNSEL OF NATIONAL SEMICONDUCTOR CORPORATION. As used herein:

1. Life support devices or systems are devices or systems which, (a) are intended for surgical implant into the body, or (b) support or sustain life, and whose failure to perform when properly used in accordance with instructions for use provided in the labeling, can be reasonably expected to result in a significant injury to the user.
2. A critical component is any component of a life support device or system whose failure to perform can be reasonably expected to cause the failure of the life support device or system, or to affect its safety or effectiveness.

BANNED SUBSTANCE COMPLIANCE

National Semiconductor manufactures products and uses packing materials that meet the provisions of the Customer Products Stewardship Specification (CSP-9-111C2) and the Banned Substances and Materials of Interest Specification (CSP-9-111S2) and contain no "Banned Substances" as defined in CSP-9-111S2.

Leadfree products are RoHS compliant.



**National Semiconductor
Americas Customer
Support Center**
Email: new.feedback@nsc.com
Tel: 1-800-272-9959

**National Semiconductor
Europe Customer Support Center**
Fax: +49 (0) 180-530 85 86
Email: europe.support@nsc.com
Deutsch Tel: +49 (0) 69 9508 6208
English Tel: +44 (0) 870 24 0 2171
Français Tel: +33 (0) 1 41 91 8790

**National Semiconductor
Asia Pacific Customer
Support Center**
Email: ap.support@nsc.com

**National Semiconductor
Japan Customer Support Center**
Fax: 81-3-5639-7507
Email: jpn.feedback@nsc.com
Tel: 81-3-5639-7560

IMPORTANT NOTICE

Texas Instruments Incorporated and its subsidiaries (TI) reserve the right to make corrections, modifications, enhancements, improvements, and other changes to its products and services at any time and to discontinue any product or service without notice. Customers should obtain the latest relevant information before placing orders and should verify that such information is current and complete. All products are sold subject to TI's terms and conditions of sale supplied at the time of order acknowledgment.

TI warrants performance of its hardware products to the specifications applicable at the time of sale in accordance with TI's standard warranty. Testing and other quality control techniques are used to the extent TI deems necessary to support this warranty. Except where mandated by government requirements, testing of all parameters of each product is not necessarily performed.

TI assumes no liability for applications assistance or customer product design. Customers are responsible for their products and applications using TI components. To minimize the risks associated with customer products and applications, customers should provide adequate design and operating safeguards.

TI does not warrant or represent that any license, either express or implied, is granted under any TI patent right, copyright, mask work right, or other TI intellectual property right relating to any combination, machine, or process in which TI products or services are used. Information published by TI regarding third-party products or services does not constitute a license from TI to use such products or services or a warranty or endorsement thereof. Use of such information may require a license from a third party under the patents or other intellectual property of the third party, or a license from TI under the patents or other intellectual property of TI.

Reproduction of TI information in TI data books or data sheets is permissible only if reproduction is without alteration and is accompanied by all associated warranties, conditions, limitations, and notices. Reproduction of this information with alteration is an unfair and deceptive business practice. TI is not responsible or liable for such altered documentation. Information of third parties may be subject to additional restrictions.

Resale of TI products or services with statements different from or beyond the parameters stated by TI for that product or service voids all express and any implied warranties for the associated TI product or service and is an unfair and deceptive business practice. TI is not responsible or liable for any such statements.

TI products are not authorized for use in safety-critical applications (such as life support) where a failure of the TI product would reasonably be expected to cause severe personal injury or death, unless officers of the parties have executed an agreement specifically governing such use. Buyers represent that they have all necessary expertise in the safety and regulatory ramifications of their applications, and acknowledge and agree that they are solely responsible for all legal, regulatory and safety-related requirements concerning their products and any use of TI products in such safety-critical applications, notwithstanding any applications-related information or support that may be provided by TI. Further, Buyers must fully indemnify TI and its representatives against any damages arising out of the use of TI products in such safety-critical applications.

TI products are neither designed nor intended for use in military/aerospace applications or environments unless the TI products are specifically designated by TI as military-grade or "enhanced plastic." Only products designated by TI as military-grade meet military specifications. Buyers acknowledge and agree that any such use of TI products which TI has not designated as military-grade is solely at the Buyer's risk, and that they are solely responsible for compliance with all legal and regulatory requirements in connection with such use.

TI products are neither designed nor intended for use in automotive applications or environments unless the specific TI products are designated by TI as compliant with ISO/TS 16949 requirements. Buyers acknowledge and agree that, if they use any non-designated products in automotive applications, TI will not be responsible for any failure to meet such requirements.

Following are URLs where you can obtain information on other Texas Instruments products and application solutions:

Products

Audio	www.ti.com/audio
Amplifiers	amplifier.ti.com
Data Converters	dataconverter.ti.com
DLP® Products	www.dlp.com
DSP	dsp.ti.com
Clocks and Timers	www.ti.com/clocks
Interface	interface.ti.com
Logic	logic.ti.com
Power Mgmt	power.ti.com
Microcontrollers	microcontroller.ti.com
RFID	www.ti-rfid.com
OMAP Mobile Processors	www.ti.com/omap
Wireless Connectivity	www.ti.com/wirelessconnectivity

Applications

Communications and Telecom	www.ti.com/communications
Computers and Peripherals	www.ti.com/computers
Consumer Electronics	www.ti.com/consumer-apps
Energy and Lighting	www.ti.com/energy
Industrial	www.ti.com/industrial
Medical	www.ti.com/medical
Security	www.ti.com/security
Space, Avionics and Defense	www.ti.com/space-avionics-defense
Transportation and Automotive	www.ti.com/automotive
Video and Imaging	www.ti.com/video

TI E2E Community Home Page

e2e.ti.com

Mailing Address: Texas Instruments, Post Office Box 655303, Dallas, Texas 75265
Copyright © 2011, Texas Instruments Incorporated

Mouser Electronics

Authorized Distributor

Click to View Pricing, Inventory, Delivery & Lifecycle Information:

[National Semiconductor \(TI\):](#)

[5962-9858501QFA](#) [DS26LV32AW-QML](#)